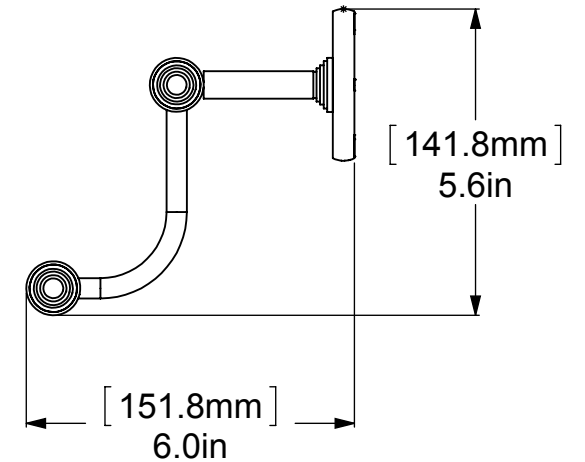
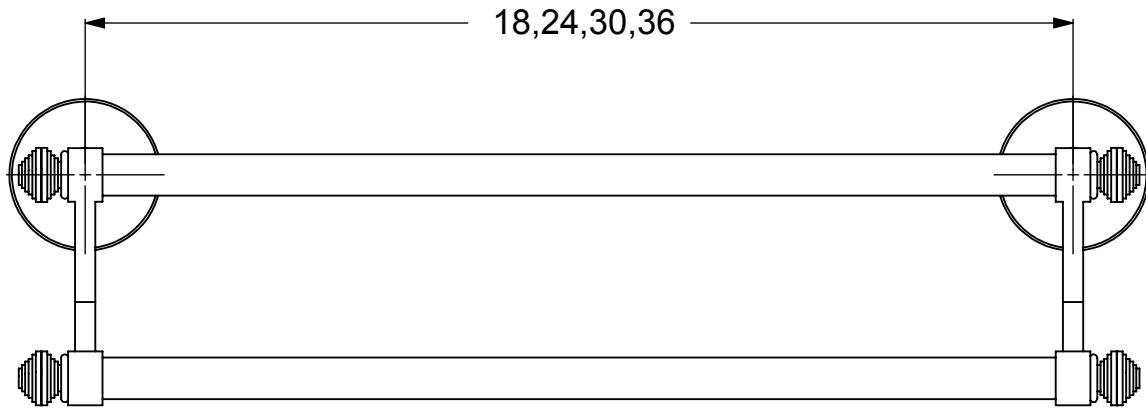
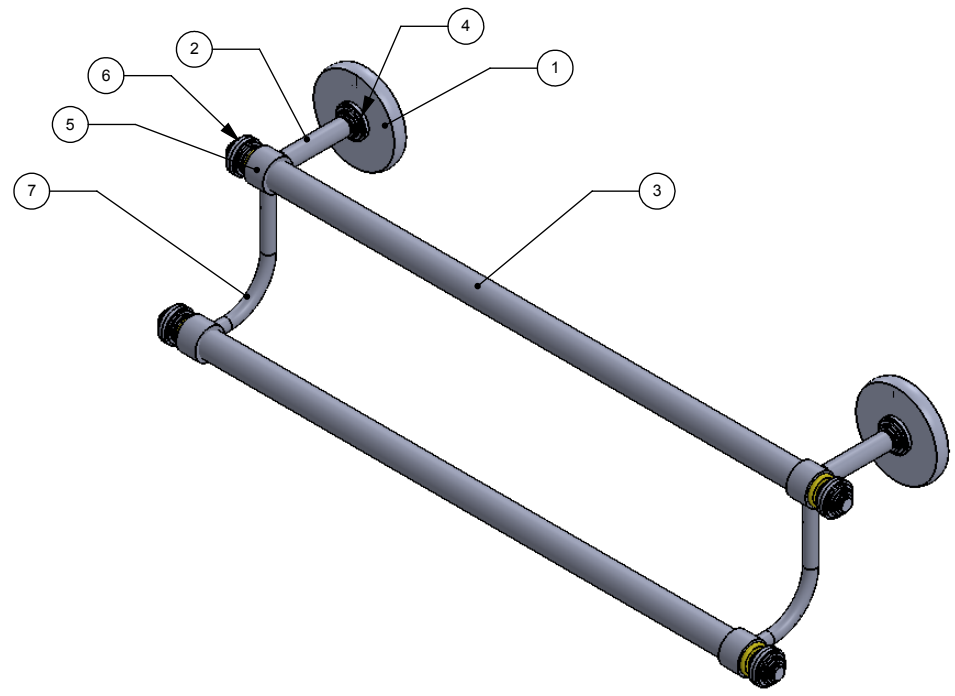
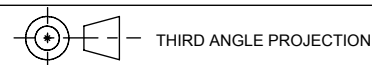



ITEM NO.	P/N	Description	QTY.
1	BPPR	BACKPLATE	2
2	TU12-2	POST	2
3	TU12-18,24,30,36	TUBE	2
4	RGNY	BOTTOM CAP	6
5	HB1T-1	HUB	4
6	CANY	TOP CAP	4
7	HKTT	TUBE PIPE	2



UNLESS OTHERWISE STATED	
.X	±.3mm
.XX	±.15mm
.XXX	±.008mm

COPYRIGHT © Allied Brass 2016



DRAWN	8/2/2016	I.M	MATERIAL:	BRASS	FINISH	TBD
CHECKED	8/2/2016	P.D	DESCRIPTION:		QUANTITY	TBD
APPROVED	8/2/2016	R.A	TOWEL BAR		DRAWING No.	REV
					SB-72	0
				SCALE	1:3.5	SHEET: 01 A4